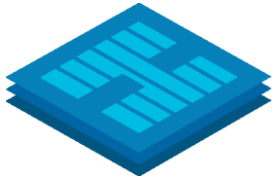




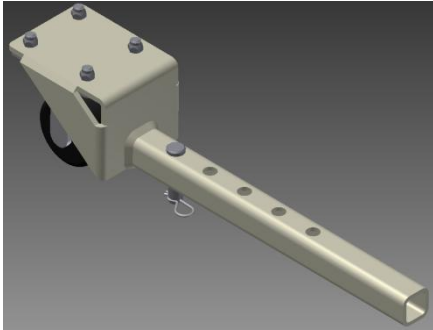
Portable Kit for the Highlander Platform Lift

Installation Instructions

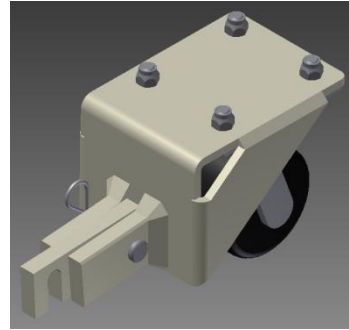


Harmar

Items Included in Kit:



- Front Caster Assembly – 2 each



- Rear Caster Assembly – 2 each

Items Required for Installation:



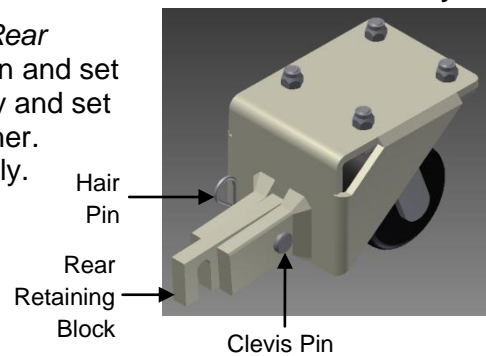
- One (1) 12" to 16" Pry Bar
- Five (5) Blocks of 2" x 4" wood, 6" minimum length

Preparing for Installation:

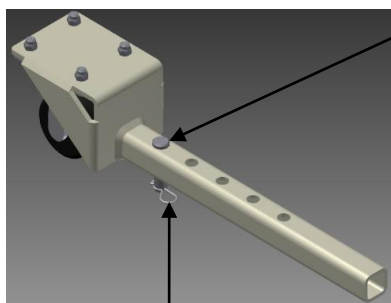
Step 1: *Verify box contents.* Remove items from box and check against the "Items Included" list (shown above) to verify receipt of all items.

Step 2: *Removal of the "Rear Retaining Block" from the Rear Caster Assembly.* Remove the Hair Pin from the Clevis Pin and set aside. Pull the Clevis Pin out of the Rear Caster Assembly and set the separated items aside, keeping the components together. Repeat this step using the remaining Rear Caster Assembly. See Rear Caster Assembly diagram to the right.

Rear Caster Assembly

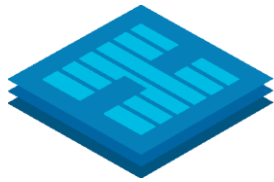


Front Caster Assembly



Hair Pin

Step 3: *Removal of the Clevis Pin from the Front Caster Assembly.* Remove the Hair Pin from the Clevis Pin and set aside. Pull the Clevis Pin out of the Front Caster Assembly and set the separated items aside, keeping the components together. Repeat this step using the remaining Front Caster Assembly. See Front Caster Assembly diagram to the left.

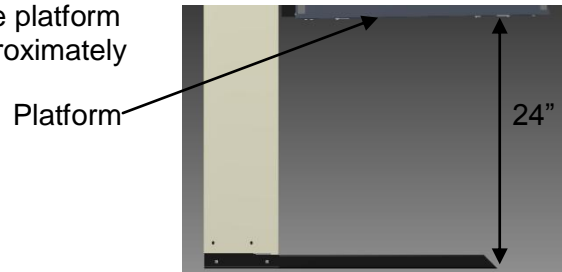


Harmar

Installation:

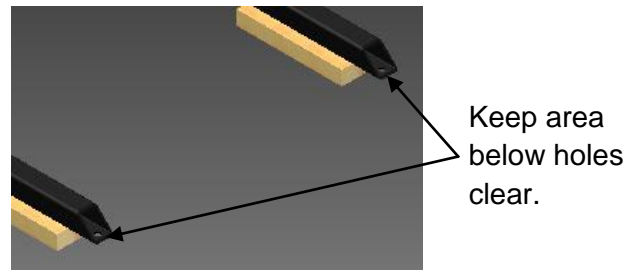
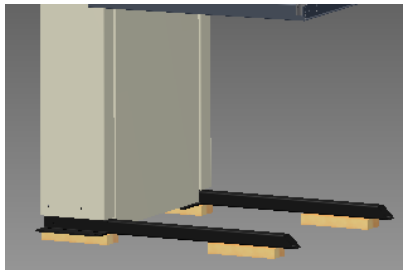
 **CAUTION:** Make sure no one is on the Vertical Platform Lift while performing any of the following steps.

Step 4: *Room to work.* Plug cord into outlet, use platform control to raise the platform portion of the lift approximately 24" up off the floor.

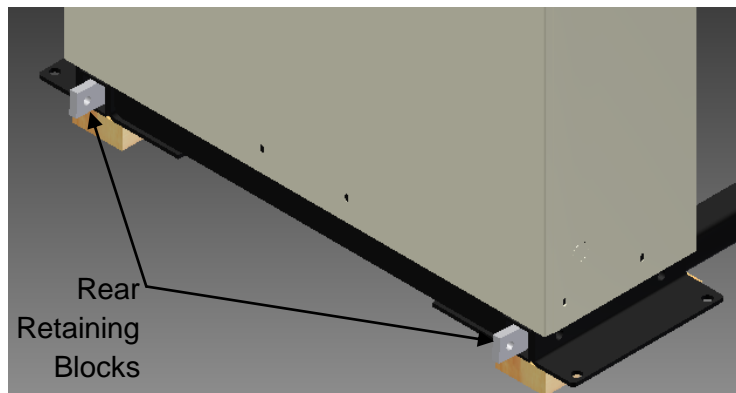


 **CAUTION:** Unplug the Vertical Platform Lift while performing the following steps.

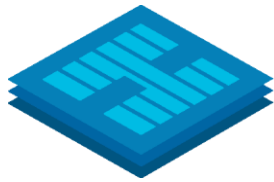
Step 5: *Lifting the Vertical Platform Lift.* Using the pry bar, raise the Vertical Platform Lift up 1-1/2" and slide two (2) blocks on each side of the Vertical Platform Lift (see diagram below on left). On the front of the unit, there are holes in the square leg tubes that must remain open when the blocks are in place (see diagram below on right).



Step 6: *Installing Rear Retaining Blocks.* On the back side of the Vertical Platform Lift, insert one of the Rear Retaining Blocks (Step 2) into one of the square tubes by holding onto the end with a round hole. The Rear Retaining Block will need to be inserted either above or below the bolt attaching the square leg tube. Once the notch of the Rear Retaining Block passes the bolt the Retaining Block will need to be rotated 90°, to lock it into position.

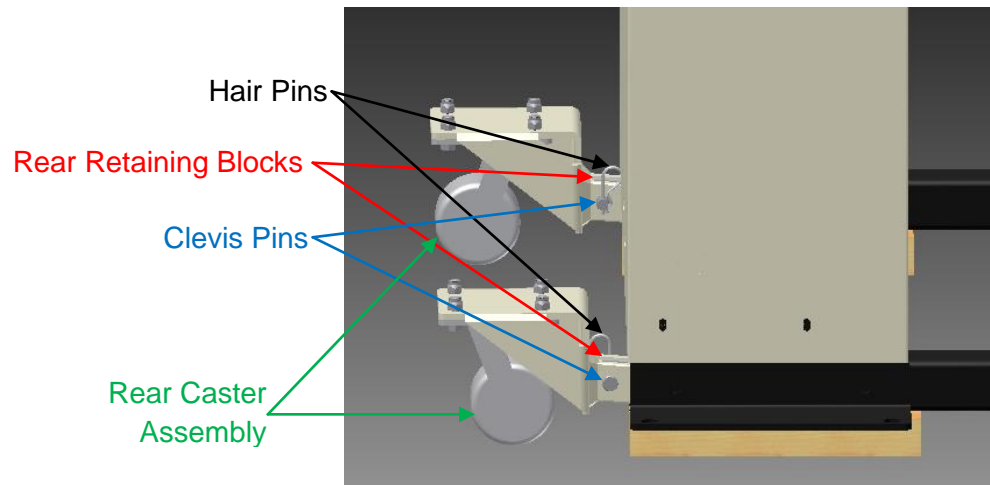


Step 7: *Installing Rear Caster Assembly.* With the caster portion of the Rear Caster Assembly (Step 2) towards the floor, slide the fork portion into the square tube (Step 6) with the Rear



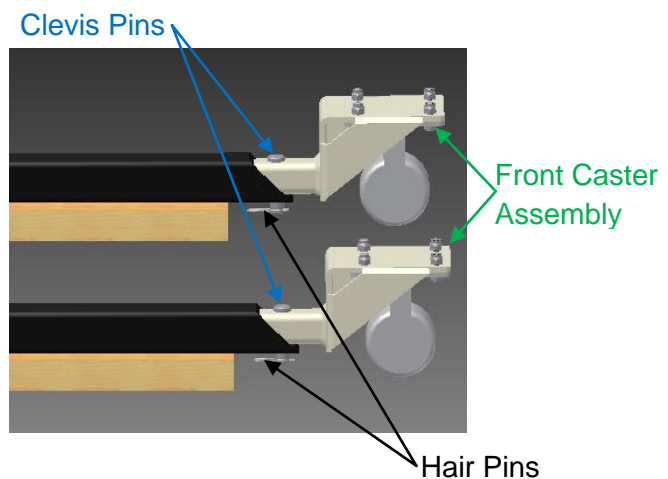
Harmar

Retaining Block going between the forks. Line up the holes in the Rear Caster Assembly with the hole in the Rear Retaining Block. Insert the Clevis Pin (Step 2) into the aligned holes to retain the Rear Caster Assembly into position. Insert a Hairpin (Step 2) into the hole on the end of the Clevis Pin just placed into position to retain it in position. Repeat Steps 6 and 7 to the other square leg tube on the back side of the Vertical Platform Lift.



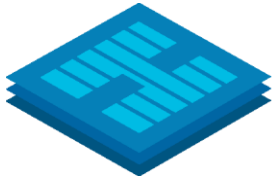
Step 8: *Installing Front Caster Assembly.*

On the front side of the Vertical Platform lift, install the Front Caster Assembly (Step 3) with the caster toward the floor. Slide the tube portion into the square tube. Line up the hole in the tube with one of the holes on the Front Caster Assembly, and insert the Clevis Pin (Step 3) into the aligned holes to retain the Front Caster Assembly into position. Insert a Hairpin (Step 3) into the hole on the end of the Clevis Pin just placed into position to retain it in position. Repeat this step with the remaining Front Caster Assembly to the other square tube on the front side of the Vertical Platform Lift.



Step 9: *Removing Blocks from under the Vertical Platform Lift.* Raise the Vertical Platform Lift up enough to clear the block of wood, and remove the block from under the lift. Lower the Vertical Platform Lift onto the caster assembly. Repeat this step until all of the blocks are removed from under the Vertical Platform Lift and are on all four (4) caster assemblies.

Step 10: *Placing the Vertical Platform Lift into desired location.* Move the Vertical Platform Lift to the desired area and place into position needed for safe operation. Be sure to follow the installation manual of the Vertical Platform Lift to ensure that the lift is properly positioned for off-loading onto the upper landing.

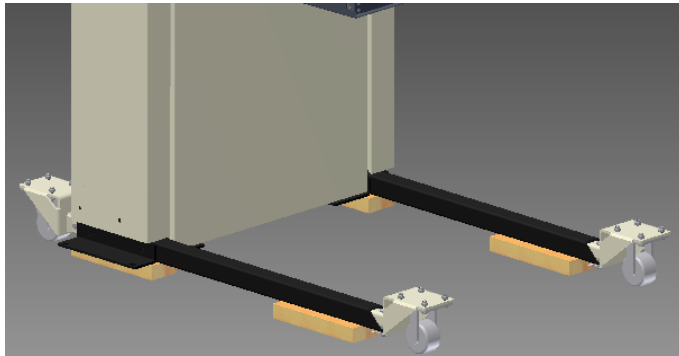


Harmar

Removal:

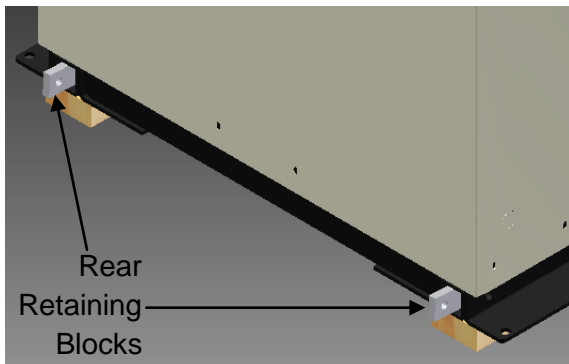
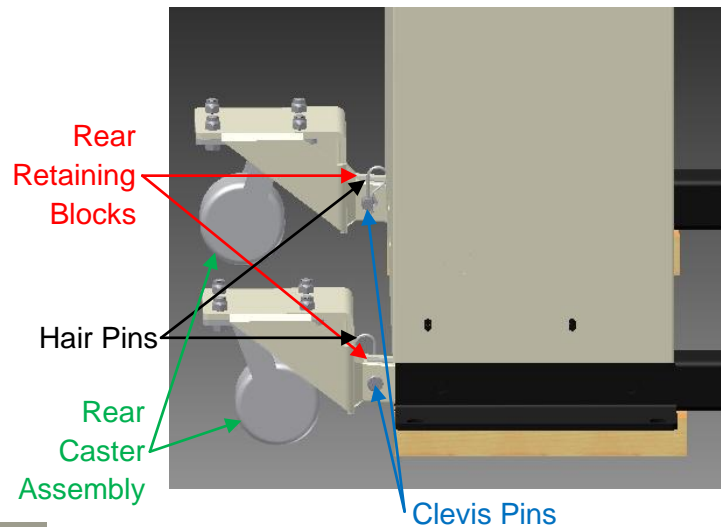


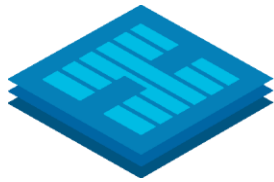
CAUTION: The Vertical Platform Lift has to have the Portable Option Removed before operation. The Vertical Platform Lift will not reach the lower position with the Portable Option in place. The Safety pan will hit on the Front Caster Assembly, causing the unit to stop while traveling downwards.



Step 11: *Lifting the Vertical Platform Lift.* With the use of four (4) of the 2" x 4" blocks of wood, raise the Vertical Platform Lift up 1-1/2".

Step 12: *Removing Rear Caster Assembly.* On the back side of the Vertical Platform Lift, remove the Hair Pin and Clevis Pin that is retaining the Rear Caster Assembly in position and set aside. Pull the Rear Caster Assembly out of the square tube. Remove the Retaining Block by rotating the block 90° and pulling out. Assemble the Retaining Block into the Rear Caster Assembly and install the Clevis Pin, and retain into position by inserting the Hair Pin. Repeat this step with the remaining Rear Caster Assembly.

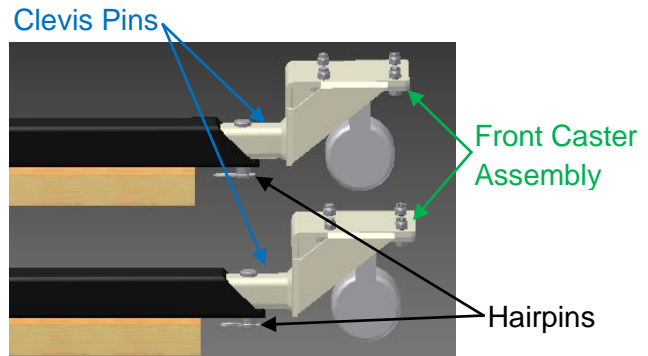




Harmar

Step 13: *Removing Front Caster Assembly.*

On the front side of the Vertical Platform Lift, remove the Hair Pin and Clevis Pin that is retaining the Front Caster Assembly in position and set aside. Pull the Front Caster Assembly out of the square tube. Install the Clevis Pin into the Front Caster Assembly, and retain into position by inserting the Hair Pin. Repeat this step with the remaining Front Caster Assembly.



Step 14: *Removing Blocks from under the Vertical Platform Lift.* Raise the Vertical Platform Lift up enough to clear the block of wood, and remove the block from under the lift. Lower the Vertical Platform Lift onto the floor. Repeat this step until all of the blocks are removed from under the Vertical Platform Lift and entire lift is resting the floor.

Step 15: *Setting the upper limit.* Follow the Installation Manual for the Vertical Platform Lift to set the upper limit.

Step 16: *Clearing the way.* Pick up the four (4) Caster Assemblies, the pry bar, and the blocks of wood, and place in safe a location out of any travel path and operation of the Vertical Platform Lift. In addition, double check to ensure the electrical cord providing power to the Vertical Platform Lift does not cross any travel path or pose a tripping hazard.

The Vertical Platform lift is now ready to be plugged in.

Users need to follow the operating instructions included with the Vertical Platform lift while operating it.